

Alternative article: PI2895 or PI2795

When selecting an alternative article and accessories please note that technical data may differ!

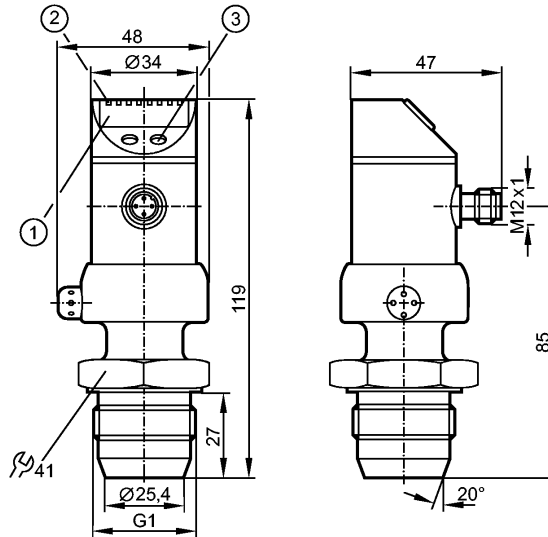
efectorsoo

PI1695



PI-004-REA01-E-ZVG/US/ /P

Pressure sensors



- 1: 4-digit alphanumeric display
- 2: status LEDs
- 3: Programming button



EC 1935/2004 EHEDG Certified



Product characteristics

Programmable pressure transmitter

Quick disconnect

no dead space

Freely rotatable housing 350°

2-wire connection technology

Zero and span adjustable

Sealing cone G 1 male

Process connection: Sealing cone G 1 male

Analog output

4-digit alphanumeric display

Measuring range: -1.000...4.000 bar / -14.50...58.00 psi / -100.0...400.0 kPa

Application

Application

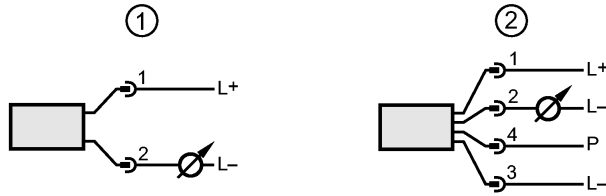
Type of pressure: relative pressure
Hygienic systems, viscous media and liquids with suspended particles
Liquids and gases

Pressure rating	30 bar	435 psi	3000 kPa
Bursting pressure min.	100 bar	1450 psi	10000 kPa
Medium temperature [°C]	-25...125 (145 max. 1h)		
Electrical data	DC		
Electrical design	DC		
Operating voltage [V]	20...32 DC		
Switch-on peak current [mA]	60 (30 ms)		
Insulation resistance [MΩ]	> 100 (500 V DC)		
Protection class	III		
Reverse polarity protection	yes		
Outputs	Analog output		
Output	Analog output		
Output function	4...20 (20...4) mA analog (scaleable 1:4)		

PI1695 - Programmable pressure transmitter - eclass: 27201302 / 27-20-13-02

Overload protection	yes		
Analog output	I: 4...20 mA (Ineg: 20...4 mA)		
Max. load [Ω]	max. 300		
Measuring / setting range			
Display unit	bar, psi, kPa, % der Spanne		
Measuring range	-1.000...4.000 bar	-14.50...58.00 psi	-100.0...400.0 kPa
Setting range			
Analog start point, ASP	-1.000...3.000 bar	-14.50...43.50 psi	-100.0...300.0 kPa
Analog end point, AEP	0.000...4.000 bar	0.00...58.00 psi	0.0...400.0 kPa
in steps of	0.005 bar	0.05 psi	0.5 kPa
Factory setting	ASP = 0.000 bar; AEP = 4.000 bar		
Accuracy / deviations			
Accuracy / deviations (in % of the span) Turn down 1:1			
Characteristics deviation *)	< ± 0.2		
Linearity	< ± 0.15		
Hysteresis	< ± 0.15		
Repeatability **)	< ± 0.1		
Long-term stability ***)	< ± 0.1		
Temperature coefficients (TEMPCO) in the temperature range 0...70° C (in % of the span per 10 K)			
Greatest TEMPCO of the zero point	< ± 0.05		
Greatest TEMPCO of the span	< ± 0.15		
Reaction times			
Power-on delay time [s]	0.5		
Damping for the analog output (dAA) [s]	0.1...100.0		
Response time analog output [ms]	40		
Integrated watchdog	yes		
Environment			
Ambient temperature [°C]	-25...80		
Storage temperature [°C]	-40...100		
Protection	IP 67 / IP 69K		
Tests / approvals			
EMC	EN 61000-4-2 ESD:	4 kV CD / 8 kV AD	
	EN 61000-4-3 HF radiated:	10 V/m	
	EN 61000-4-4 Burst:	2 kV	
	EN 61000-4-5 Surge:	0.5/1 kV	
	EN 61000-4-6 HF conducted:	10 V	
Shock resistance	DIN IEC 68-2-27:	50 g (11 ms)	
Vibration resistance	DIN IEC 68-2-6:	20 g (10...2000 Hz)	
MTTF [Years]	238		
Mechanical data			
Process connection	Sealing cone G 1 male		
Materials (wetted parts)	ceramics (99.9 % Al ₂ O ₃); PTFE; stainless steel 316L / 1.4435; surface characteristics: Ra < 0.4 / Rz 4		
Housing materials	stainless steel 316L / 1.4404; PC (Makrolon); PBT (Pocan); PEI; FPM (Viton); PTFE		
Min. pressure cycles	100 million		
Weight [kg]	0.441		
Displays / operating elements			
Display	Display unit	4 x LED green	
	Function display	4-digit alphanumeric display	
	Measured values	4-digit alphanumeric display	
Electrical connection			
Connection	M12 connector; gold-plated contacts		
Wiring			

PI1695 - Programmable pressure transmitter - eclass: 27201302 / 27-20-13-02



1: Normal operation
 2: Programming operation (P = communication via EPS / FDT interface)

Remarks
 Remarks

*) linearity, incl. hysteresis and repeatability;
 (limit value setting to DIN 16086)
 **) with temperature fluctuations < 10 K
 ***) in % of the span per year
 The 3-A qualification is only valid if adapters with 3-A qualification are used for installation.

Pack quantity [piece] 1

ifm efector, inc. • 1100 Atwater Drive • Malvern • PA 19355 — We reserve the right to make technical alterations without prior notice. — US — PI1695 — 28.05.2014
 Alternative article: PI2895 or PI2795

When selecting an alternative article and accessories please note that technical data may differ!