

no longer available - archive entryreplaced by: PN3006

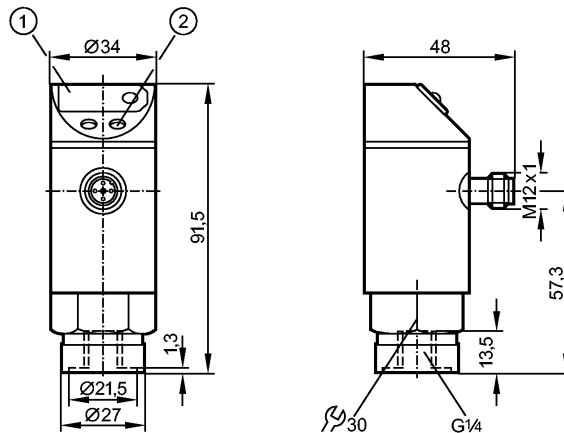
**efectorsoo**

PN3026



PN-2.5-RBR14-KFPKG/US/ IV

Pressure sensors



1: 7-segment LED display

2: Programming button



Product characteristics

Combined pressure sensor

Quick disconnect

Function programmable

Process connection: G ¼ I

Switching output, Analog output

7-segment LED display

Measuring range: 0...2.5 bar

Application

Application

Type of pressure: relative pressure  
Liquids and gases

Pressure rating [bar]

20

Bursting pressure min. [bar]

50

Medium temperature [°C]

-25...80

Electrical data

Electrical design

DC PNP

Operating voltage [V]

20...30 DC

Current consumption [mA]

< 60

Insulation resistance [MΩ]

> 100 (500 V DC)

Protection class

III

Reverse polarity protection

yes

Outputs

Output

Switching output, Analog output

Output function

normally open / closed programmable, 4...20 mA analog

Current rating [mA]

250

Voltage drop [V]

< 2

Short-circuit protection

yes (non-latching)

Overload protection

yes

Switching frequency for a given set response time of one output \*)

Response time (dAP)

[ms] 3 6 10 17 30 60 125 250 500

Switching frequency

[Hz] 170 80 50 30 16 8 4 2 1

Analog output

4...20 mA

Max. load [Ω]

max. 500

# PN3026 - Combined pressure sensor - eclass: 27201302 / 27-20-13-02

Measuring / setting range	
Measuring range [bar]	0...2.5
Setting range	
Set point, SP [bar]	0.02...2.50
Reset point, rP [bar]	0.01...2.48
in steps of [bar]	0.01
Accuracy / deviations	
Deviations (% of value of measuring range)	
Switch point accuracy	< ± 1.5
Characteristics deviation	< ± 1.0
Repeatability	< ± 0.25
Temperature drift ( / 10 K)	< ± 0.3
in the temperature range [°C]	-25...80
Reaction times	
Power-on delay time [s]	0.2
Delay time programmable dS, dr [s]	0, 0.2,...10, 11,...50
Response time analog output [ms]	3
Integrated watchdog	yes
Software / programming	
Programming options	hysteresis / window function; N.O. / N.C.; on delay, off delay; damping
Adjustment of the switch point	Programming button
Environment	
Ambient temperature [°C]	-25...80
Storage temperature [°C]	-40...100
Protection	IP 65
Tests / approvals	
EMC	EN 61000-4-2 ESD: 4 kV CD / 8 kV AD EN 61000-4-3 HF radiated: 10 V/m EN 61000-4-4 Burst: 2 kV EN 61000-4-6 HF conducted: 10 V
Shock resistance	DIN IEC 68-2-27: 50 g (11 ms)
Vibration resistance	DIN IEC 68-2-6: 20 g (10...2000 Hz)
Mechanical data	
Process connection	G ¼ I
Materials (wetted parts)	stainless steel (303S22); ceramics; FPM (Viton)
Housing materials	EPDM/X (Santoprene); FPM (Viton); PA; PBT (Pocan); PC (Makrolon); PTFE; stainless steel (304S15)
Switching cycles min.	100 million
Weight [kg]	0.295
Displays / operating elements	
Display	Switching status LED red Function display 7-segment LED display Measured values 7-segment LED display
Electrical connection	
Connection	M12 connector; gold-plated contacts
<b>Wiring</b>	
Programming of the output function: Hno = hysteresis / N.O. Hnc = hysteresis / N.C. Fno = window function / N.O. Fnc = window function / N.C.	
Remarks	
Remarks	*) at rectangular pressure characteristic and setting: switch-on point (SPx) = 70 %, switch-off point (rPx) = 30 %
Pack quantity [piece]	1

## **PN3026 - Combined pressure sensor - eclass: 27201302 / 27-20-13-02**

ifm efector, inc. • 1100 Atwater Drive • Malvern • PA 19355 — We reserve the right to make technical alterations without prior notice. — US — PN3026 — 06.06.2003  
no longer available - archive entryreplaced by: PN3006