

Model Number

U-P4-RX

Base with serial interfaces RS 232 and RS 485

Features

- Protection degree IP67
- With serial interfaces RS 232 and RS 485

Function

The base is used in combination with an upper part, the IPT*-FP read/write station. Either an RS 232- or an RS 485-interface is available.

The read/write station is connected to a higher-order control system via the serial interface and receives the commands for writing and/or reading code or data carriers via this interface.

Software

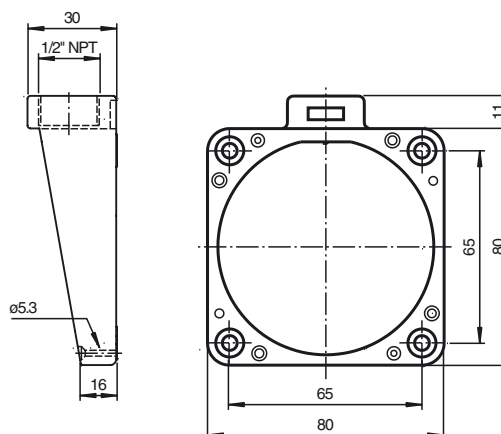
Communication with the identification system is very easy with the demo program IDENT 2005. It shows the system options and simplifies commissioning. The demo program is included in the scope of delivery.

Matching system components

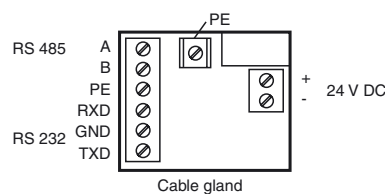
IPT-FP

Read/write station

Dimensions



Electrical connection



Technical data

Electrical specifications

| | | |
|-----------------------------|-------|--|
| Rated operational voltage | U_e | 20 ... 30 V DC , ripple 10 % _{SS} , PELV |
| Power consumption | P_0 | max. 4 W with read/write head IPT*-FP |
| Electrical isolation | | |
| Operating voltage/interface | | functional insulation acc. to DIN EN 50178, rated insulation voltage 50 V _{eff} |

Interface

| | |
|---------------|--|
| Physical | RS 232/RS 485 |
| Protocol | ASCII |
| Transfer rate | 1200; 2400; 4800; 9600; 19200; 38400 |
| Cable length | ≤ 15 m at RS 232 ≤ 1200 m at RS 485 |

Ambient conditions

| | |
|---------------------|-------------------------------|
| Ambient temperature | -25 ... 70 °C (248 ... 343 K) |
| Storage temperature | -40 ... 85 °C (233 ... 358 K) |

Mechanical specifications

| | |
|-------------------|---|
| Protection degree | IP67 according to EN 60529 with IPT*-FP |
| Connection | screw terminals |
| Interface cable | 3 conductor, acc. to RS 232 or 2 acc. to RS 485 |
| Supply | up to 3 x 1.5 mm ² |
| Material | |
| Housing | aluminium diecasting |